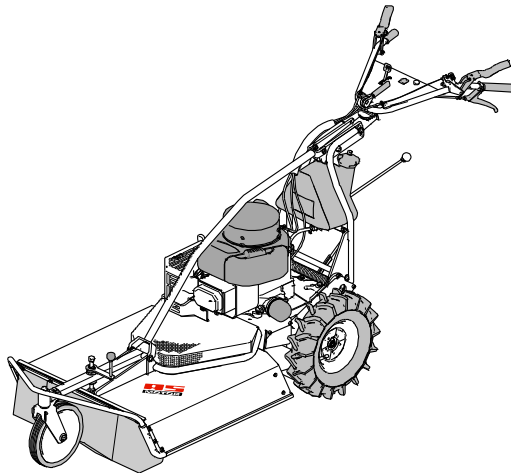




Operating Instructions



Allmäher®

AS 65 4T B&S

From serial number: 021310020001
Issued: 12 January 2015, V15.0
EN-Translation of the Original Operating Instructions

Preface

Please fill in all data referring to your device. When ordering spare parts, provide your dealer with the device and engine number.

Serial number:

Plases adhere the sticker from the warranty card here.

Engine number:

Date of purchase:

Address of dealer:

Dear customer:

Congratulations on your purchase. You have acquired a reliable quality product by "AS-Motor Germany".

This product has been manufactured according to modern manufacturing methods and comprehensive quality assurance measures. Only when you are satisfied with your device, we have attained our goal.

Read these operating instructions carefully and attentively so that your device operates smoothly and you and others are safe from any hazards. If you have questions concerning your device, please contact your dealer or call our customer service (telephone +49/(0)7973/9123-0). For international AS partners, please see: www.as-motor.de/worldwide.

"AS-Motor Germany" wishes you much joy with your new device.

Intended use

The device is exclusively intended for cutting grass or similar vegetation in well maintained areas in agriculture, forestry, and landscape conservation that are mowed at least once a year.

Only use attachments and cutting tools authorised by "AS-Motor Germany".

Any use exceeding this purpose is inadmissible. The manufacturer is not responsible for any damage resulting from this. Observe the required maintenance and repair measures.

The user of the device is responsible for accidents or damage to other persons or their property!

The device **must not** be used:

- To cut hard objects, rocks, rubble, or pieces of wood.
- To trim bushes, hedges, and shrubbery.
- To cut plants in flower pots or planters or on rooftops.
- To clean (vacuum) footpaths.
- As shredder for shredding tree and hedge cuttings.
- As drive unit for work tools and any type of tool sets that are not authorised by "AS-Motor Germany".

Contents

Preface	2	Differential lock	16
Intended use	2	Switching off and parking	16
Explanation of the symbols	4	Maintenance and cleaning	17
Symbols in the instructions	4	Preparations	18
Symbols on the device	4	Cleaning the device	18
Safety instructions	5	General inspection	19
Get informed!	5	Chain lubrication	19
User restrictions and hours of operation	5	Transmission	19
Safe handling of fuel	5	Maintaining the engine	19
Check the device prior to use	6	Checking the engine oil level	19
Use caution during operation	6	Checking the spark plugs	20
Prior to mowing	6	Maintaining the air filter	20
Use caution when mowing	6	Checking the drive	20
When work is completed	7	Checking the parking brake	20
Use caution during maintenance and repair	8	Checking the blade	21
Device description	9	Storage	21
Control elements	10	Storing the device	21
Assembly	11	Longer storage	22
Scope of delivery	11	Restarting	22
Unpacking	11	Spare parts	22
Guide bar and handlebar	11	Wear parts	22
Transport	12	Disposal	22
Loading	12	Warranty	22
Unloading the device	12	Troubleshooting	23
Information on mowing	12	Accessories	26
Prior to starting	13	Technical data	27
Fuel	13	Declaration of conformity	28
Tanking up	13		
Checking the engine oil level	13		
Adjusting cutting height	13		
Locking steerable front wheel	14		
Starting	14		
Starting the device	14		
Engaging the blade	14		
Oil pressure switch	15		
Driving	15		
Driving	15		
Reverse gear	15		
Turning	15		
Pushing	15		

Explanation of the symbols

Symbols in the instructions

In these operating instructions, the following symbols are used to denote special dangers.



Warning.
These symbols denote special dangers.



Prohibition sign.
These symbols denote inadmissible procedures.



Directive sign.
These symbols denote required protective measures.

Symbols on the device

The following symbols are placed on the device to inform you must be careful and attentive when using the device:



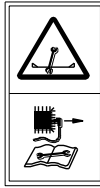
Working with the device requires extreme cautiousness.
Read the operating instructions before you use the device.



Risk of injury!
Make sure that no one is within the danger zone of the device.
Objects may be ejected.



The quickly rotating blade can cause life threatening injuries or immense property damage! Be especially careful to keep your hands and feet away from the blade when the device is put into operation.



Prior to any repair and maintenance work, pull off the spark plug connector.



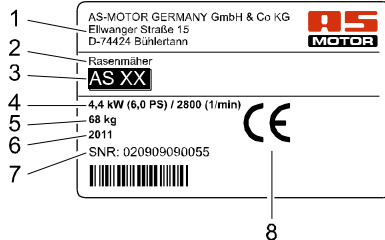
Clean the ventilation grid!
The cooling air of the motor is sucked in through the ventilation grid of the engine cover. Always keep the entire surface open and free!



Noise is causing health problems. Use personal ear protection to avoid hearing damage.

Type plate

The type plate on the device provides you with information on the device type and the technical data.



- 1 Name and address of the manufacturer
- 2 Device designation
- 3 Type designation
- 4 Rates power output in kW / engine speed
- 5 Weight
- 6 Year of manufacture
- 7 Serial number
- 8 CE marking

Safety instructions

Get informed!

For your safety, read these operating instructions with care. Familiarize yourself with the control elements and the proper use of the device. Share these operating instructions with other users of the device.

Before you use the device for the first time, let the dealer instruct you regarding safe use.

Get familiar with the device in a wide, open and flat terrain first.

User restrictions and hours of operation

Never allow children or persons who are not familiar with the operating instructions to use the device. Persons under 18 years of age may operate the device only under proper supervision. Local regulations determine the minimum age of the operator and the operating times.

Unsuitable for operation of the device are persons who

- are under the influence of alcohol, drugs or reaction retarding medicines.
- have physical and mental/emotional impairments.
- are tired or sick.



People fitted with pace makers are not allowed to touch any current carrying parts of the ignition system.

Safe handling of fuel



Danger!

Fuel is toxic and highly inflammable.



Danger of fire and explosion!

Keep the fuel away from ignition sources and do not smoke while handling the device.

Do not inhale fuel vapours; they are dangerous to your health.



Use gloves and avoid skin contact with the fuel.

Fuel up outdoors only when the engine is cool and not running. Use a filler or funnel.

Do not spill any fuel and do not let the fuel get into the canalisation or ground water.

If you spilled fuel, do not start the device until the fuel vapours have evaporated (wipe dry). Move the device away from the area where the fuel was spilled.

Always close the tank cap securely and do not open it while the engine is running or the device is still hot.

Drain the fuel tank only when outdoors. Use a suitable container or run the tank empty.

Keep the fuel away from children and store it in a suitable container in a dark, cool, and dry location.

Never park the device with fuel in the tank inside a building where fuel vapours could come in contact with open fire or sparks.

Immediately replace a damaged fuel tank or tank cap (authorised dealership).

First aid

When swallowing fuel or inhaling fuel vapours, do not force vomiting and immediately consult a doctor.

In case of skin contact, immediately wash with water and soap. Change your soiled clothing as soon as you can.

Measures in case of a fire

In case of a fire, use foam, dry powder extinguisher, or carbon dioxide (CO₂). Never douse with water!

Check the device prior to use

Prior to use, check the blade, protection skirt, drive and fastening parts for proper working condition and firm seating by visual inspection.

Never use the device with defective or missing covers or protection skirt or protection bow.

Do not remove, change or override any safety devices or control elements.

Observe the maintenance instructions and replace damaged or worn parts immediately.

Have an authorised service centre check your device if the blade does not stop within 7 seconds.

Use caution during operation

Do not start the engine

- if fuel was spilled.
- in closed or poorly ventilated rooms (danger of poisoning!).
- if there are other persons nearby.

Only start the device when your feet are at a safe distance to the blade.

During startup of the engine, do not tilt the device.

Do not touch the engine or the silencer. They become very hot during operation and you can get burned. Resulting unintentional movements constitute an additional injury hazard.

Switch off the blade and wait until the blade comes to a standstill

- before you move over surfaces other than grass.

Switch off the engine and wait until the blade comes to a standstill

- before you tilt or transport the device.
- if you step away from the device, even for just a short time.
- before you adjust the cutting height.
- before you refuel.

Switch off the engine and wait until the blade comes to a standstill, and pull off the spark plug connector

- before you clean or check the device or before you carry out work on the device.
- before you unblock or unclog the discharge area.

Prior to mowing

Personal protective measures



While mowing, always wear sturdy footwear with good grip, long trousers, and gloves. Do not mow in open sandals or bare feet.



Noise is causing health problems. Use personal ear protection to avoid hearing damage. Wear safety glasses and headgear.

Ask your specialised dealer about suitable protective equipment.

Preparing the mowing area

Prior to mowing, carefully check the perimeter of the lawn. Remove rocks, pieces of wood, bones, wires, and other objects that could be picked up and thrown out by the device.

Use caution when mowing

Risk of injury

Stay within shouting distance to other people who can help you in case of an emergency.



Danger!

Risk of injury caused by thrown out objects.

Never mow while persons, children, pets, or property are in the vicinity.



The area in front of and to the right of the device is especially dangerous.

Keep your hands and feet away from the rotating parts. Keep a distance to the ejection area while working with the device.

Only mow during daylight or with adequate artificial lighting. Never mow in the event of uncertain weather conditions and risk of lightning.

Be especially carefully when mowing on soft ground, nearby landfills, ditches and dikes.



Avoid mowing wet grass - slipping hazard!

Be extremely cautious when turning the device round or pulling it toward you and when moving in reverse.

Always walk slowly!

Never lift or carry the device when the engine is running.

When using the device over a longer period of time, vibrations can cause disturbances in the blood supply of the hands. A generally accepted usage time cannot be determined. Use gloves.

Take breaks on time.

Have an authorised service centre check the device immediately

- if the blade hit an object.
- if the device starts to vibrate unusually severely.

Caution when mowing slopes

Observe the information regarding the oil pressure switch in chapter Starting.



When mowing slopes, there is a risk of slipping and tilting!

1. Only mow steep slopes when safe operation assured.

2. Do not mow excessively steep slopes.
3. When mowing steep slopes, meet the appropriate safety measures, e.g. use step irons.
4. Always mow in horizontal directions, never up- or downwards.
5. Sure footing is essential for your safety, always wear skid proof safety shoes.
6. Be extremely careful when changing the direction.
7. Only mow when the surface is dry and non-slip.

The device can roll away when you mow downhill. Put the device down on even surfaces only and prevent inadvertent rolling.

Mowing surfaces with fire hazard

- Carry a sufficient amount of suitable extinguishing agent.
- If side inclination is too great, fuel may leak from the carburetor or the tank. This poses a fire hazard!
- Observe the mowed surface also after moving is completed to ensure that no fire will start.

To avoid risk of fire, keep the following components free of dirt, grass, hay, leaking oil, grease, etc.:

- Engine
- Silencer (manifold, guard, clearances)
- Area around the fuel tank

When work is completed

After mowing, always close the fuel valve and the tank ventilation.

Prior to leaving the device, wait until the engine comes to a standstill and pull off the spark plug connector.

After switching it off, let the device cool down for at least 20 minutes before you store it in a dry, closed, sufficiently ventilated room.

Never store the device when there is fuel in the tank inside a building where fuel vapours might come into contact with open fire or sparks.

Use caution during maintenance and repair

Only carry out maintenance work as described in these operating instructions. Have an authorised service centre carry out all other work.

Only use the knives and spare parts authorized by "AS-Motor Germany". Unauthorized knives and spare parts can cause severe injuries.

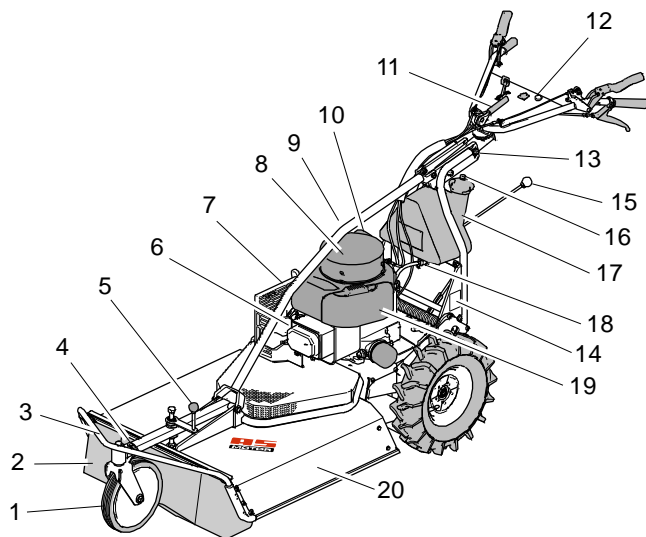
Prior to all maintenance work, wait until the engine comes to a standstill and pull off the spark plug connector.

We explicitly point out that, in accordance with the Product Liability Act, we are not liable for damages that were caused by our devices if

- worn or damaged parts were not repaired or replaced on time.
- these damages were caused by improper repair.
- when changing a part, our original parts or parts authorised by use were not used.
- the repair work was not carried out by an authorised service station.

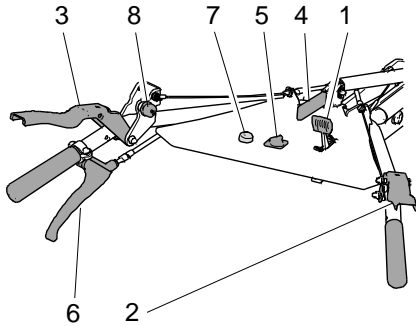
The same applies for spare parts and accessories.

Device description



- 1 Steerable front wheel
- 2 Protection skirt
- 3 Protection bow
- 4 Interlock steerable front wheel
- 5 Cutting height adjustment
- 6 Spark plug connector
- 7 Silencer
- 8 Ventilation grid
- 9 Oil filler opening
- 10 Starter grip
- 11 Lateral adjustment of handlebar
- 12 Handlebar console
- 13 Lever for lateral adjustment of handlebar
- 14 Type plate
- 15 Switching lever
- 16 Tank ventilation
- 17 Tank filler spout
- 18 Fuel valve
- 19 Air filter
- 20 Cover

Control elements



Accelerator lever with choke (1)

With the accelerator lever, you change the engine speed and thus control the engine output.



Choke: Choke is closed (only for engine start when engine is cold)

MIN: Neutral position

MAX: Full throttle

Start button (7)

Press and hold the start button during the starting procedure (see Starting).

Drive lever with parking brake (2)

With the drive lever, you switch the drive and the parking brake on and off.



Drive on / parking brake off (I):

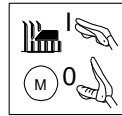
Press the lever towards the handlebar and continue to hold.

Drive off / parking brake on (0):

Release the lever.

Blade clutch lever (3)

The blade clutch lever is a safety device. When you release the lever the blade comes to a standstill within 7 seconds



Engaging blade (I):

Lift the blade clutch lever, engage the latch knob (88) and press the blade clutch lever towards the handlebar.

Disengaging blade (0):

Release the blade clutch lever and set the accelerator lever to MIN.

Engine stop switch (5)

Switch the ignition on and off with the engine stop switch. When you switch off the ignition, the engine is switched off.



0: OFF

I: ON

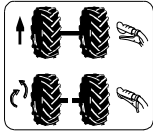
Lever for lateral adjustment of handlebar (4)

1. Release the eccentric tension lever.
2. Attention: Do not crush the Bowden cables when pivoting the handlebar. Swivel the handlebar to the side to the desired position.
3. Clamp the handlebar with the eccentric tension lever.

Height adjustment of handlebar

You adjust the height of the handlebar with the screw for the height adjustment of the handlebar (see Assembly).

Differential lock (6)



On:

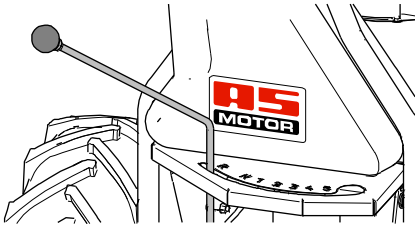
Release the lever.

Off:

Press the lever towards the handlebar and continue to hold.

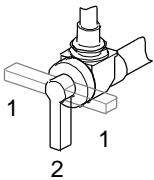
Switching lever

The transmission has 5 forwards gears, neutral position, and one reverse gear. For switching, release the drive lever, switch to the next gear and continue to drive.



R	Driving in reverse
N	Neutral position
1-5	Driving forwards

Fuel valve



1: Closed

2: Open

Assembly

Scope of delivery

The device is delivered in a carton.

The scope of delivery includes:

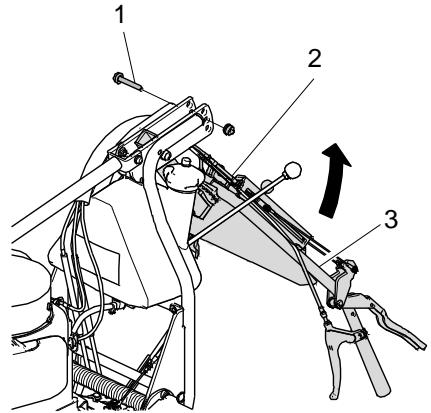
- The device.
- These operating instructions.

- Warranty card.
- Tool bag.
- Operating instructions of the engine manufacturer.

Unpacking

1. Open the box at the top.
2. Cut open the front side of the box.
3. Bring the handlebar up (see guide bar and handlebar).
4. Check the air pressure in the tires (see Technical data).
5. Switch the switching lever at the transmission to neutral position.
6. Press the drive lever towards the handlebar and push the device off the pallet.

Guide bar and handlebar



1. Slacken the screw for the height adjustment of the handlebar (1) and pull it out sideways.
2. **Attention:** Do not crush the Bowden cables (2) when swivelling the handlebar. Swivel up the handlebar (3) to the correct working position and tighten with the screw and nut.

Transport



Warning!

Risk of injury due to the heavy weight of the device. The device can fall over and fall down and cause severe injuries.

Observe the following notices.

Transport the device on a freight vehicle or a trailer which is designed for a carrying capacity of at least as great as the empty weight of the device.

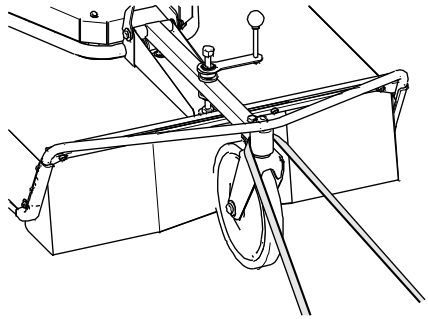
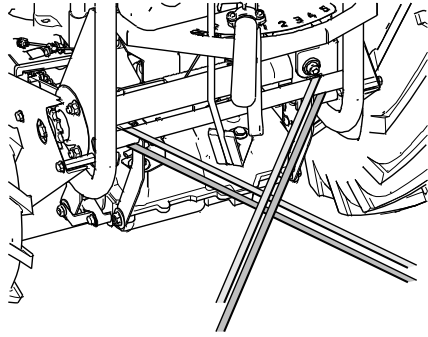
Prior to transport, let the device cool down for at least 20 minutes. Close the tank ventilation and the fuel valve.

For transport, you can fold up the handlebar.

Loading

Use suitable ramps for loading that

- can carry the empty weight of the device + 100 kg.
 - are wider than the device.
 - have a slip-free surface.
1. Put the device in front of the ramps and make sure that the ramps
 - are as wide as the wheel gauge of the device.
 - are tightly secured to the platform.
 - are not steeper than 15°.
 2. Carefully drive the device via the ramps onto the platform.
 3. Secure the device against rolling, sliding, tilting, and fuel leakage.



4. Secure the device with belts to the frame elements that can hold the weight.
Caution! To prevent damages to the device, we recommend to fasten the straps exactly as shown in the illustration. Do not overtighten the straps.

Unloading the device

1. Undo the transport fastenings.
2. Drive the device carefully down the ramps of the platform.

Information on mowing

Prior to mowing, check your device for completeness, proper functioning, and cleanliness. A dirty ventilation grid causes overheating of the engine, this can damage the engine. A dirty protective grid at the silencer poses a fire hazard.

Frequent engagement and disengagement of the clutch increases wear of the blade drive belt and the blade brake. Especially in case of

high grass, clutch engagement leads to over-load.

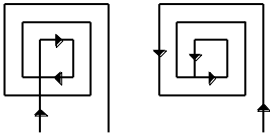
To keep the area well maintained, mow frequently and keep the grass short.

Only mow with a sharp and undamaged blade. Have the blade sharpened and balanced regularly (by authorised service centre).

Do not mow when the grass is wet or when it is raining. The turf may be damaged and there is a danger of slipping!

Turn the device around only in already mown sections. Do not leave the device unattended while the engine is running

For mowing, always turn the accelerator lever to full throttle to achieve the best mowing performance.



To avoid blockage during the ejection of grass, we recommend, for flat terrain, to proceed according to the mowing patterns. Mulch is shredded into much smaller pieces when you mow the terrain once again in the opposite direction.

If the grass is extremely high, mow twice at different cutting height settings.

Prior to starting

Fuel

As fuel, use unleaded petrol (see operating instructions of the engine manufacturer).

You can use E10 petrol. Do not store E10 petrol longer than 30 days.

Tanking up



Danger!

Fuel is ignited by hot engine parts. Prior to filling up, switch off the engine and wait for at least 20 minutes until the engine has cooled down. Observe the safety instructions regarding the fuel!

Filling in the fuel:

1. For filling, use a canister with a filler spout or use as funnel.
2. Open the canister carefully so that the existing overpressure is discharged slowly and no fuel spurts out.
3. Open the tank cap carefully so that the existing overpressure is discharged slowly and no fuel spurts out.
4. Fill the fuel tank.
5. Screw the tank cap on tightly.

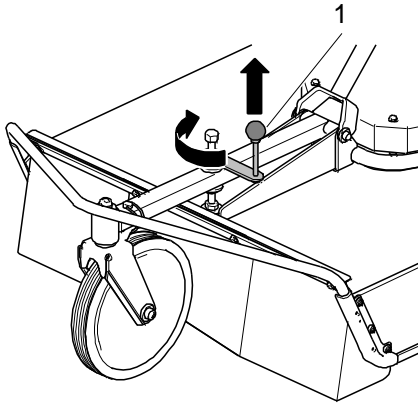
Checking the engine oil level

Attention! Prior to each use, check the engine oil level (see operating instructions of the engine manufacturer).

Adjusting cutting height

Adjust the cutting height setting only when the engine is switched off.

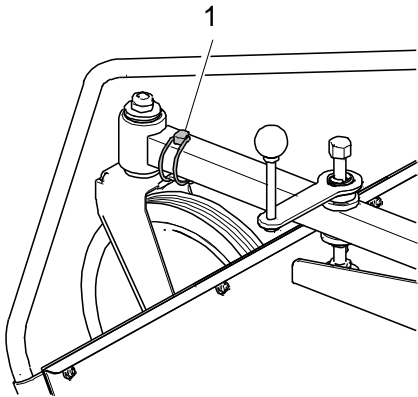
Set the cutting height so that the blade does not touch the ground even in case of terrain unevenness. If the cutting height is set too high, objects can be ejected and the "clean cut appearance" can be destroyed.



1. Switch off the engine and wait until the blade comes to a standstill.
2. Pull the lever (1) upwards and turn it until the desired cutting height is reached.

Locking steerable front wheel

On flat terrain, it is more comfortable to leave the front wheel free to pivot. If you mow in horizontal direction, it is necessary to always lock the wheel.



Releasing steerable front wheel

Pull off the spring cotter (1) and insert it into the hole at the handlebar console.

Locking the steerable front wheel

Insert the spring cotter (1).

Starting



Danger!

During startup, there is a risk of injury caused by the rotating blade. Make sure that no one is within the danger zone of the blade. Do not tip the device over to one side during startup.



Danger!

If after startup the carburetor does not close properly, fuel will overflow and a fire hazard occurs.

Close the fuel valve and contact an authorised service centre.

Starting the device

1. Place the device onto a flat surface, not in high grass.
2. Open the fuel valve and the tank ventilation.
3. Plug on the spark plug connector.
4. Set the engine stop switch to "I".
5. For cold start, set the accelerator switch to position "choke"; otherwise, set it to medium speed.
6. With your left thumb, press the start button and continue to hold.
7. Pull the starter point slowly out until you feel resistance then pull out quickly – engine starts to run.
8. Let the starter rope retract slowly.
9. Release the start button.
10. For mowing, set the accelerator lever to the maximum speed.

Engaging the blade

1. Lift the blade clutch lever.
2. Press the latch knob at the blade clutch lever.
3. Press the blade clutch lever towards the handlebar – the blade starts to move.

Disengaging the blade when moving over paths:

1. Release the blade clutch lever.

Oil pressure switch

The oil pressure switch ensures that the engine is not damaged when the device is used in steep terrain.

The oil pressure switch switches off the engine when damage to the engine may occur due to lack of oil pressure. This may occur when:

- Oil level is too low.
- The device is in too steep a sloping position while in steep terrain.

How steep the gradient for the oil pressure switch to switch off the engine may be depends on the engine type, direction of inclination, and the oil level.

In order to restart the engine, push the device while in idle state to terrain that is less steep. In every case, check the oil level.

Driving

Driving

In case of a hazardous situation, switch off the drive and declutch the blade.

Drive on:

1. Engage the desired gear.
2. Press the drive lever towards the handlebar - device is moving.

Drive off:

1. Release the drive lever.

Adjusting the driving speed:

The driving speed depends on the quantity and thickness of the growth. If the growth is especially high and thick, you can mow at low driving speed only.

1. Release the drive lever.
2. Engage the desired gear.
3. Press the drive lever back towards the handlebar – device is moving.

Reverse gear



Danger!

Risk of injury caused by slipping or tripping during moving in reverse or turning.

When moving in reverse, always switch off the blade!

Prior to switching on the reverse, make sure that path is free of obstacles. Especially when going over already mowed grass ensure safe footing.

1. Release the drive lever.
2. Disengage the blade.
3. Set the accelerator lever to medium speed.
4. Set the switching lever to reverse (**R**).
5. Press the drive lever towards the handlebar - device moves in reverse.

Turning

Turn the device round only where the grass has been mowed already.

Turning round on an even surface:

1. Switch off the drive and the differential lock.
2. Turn the device to the desired side.
3. Switch the drive and the differential lock back on.

Turning round on a sloping area:

1. Disengage the blade.
2. Keep the drive switched on.
3. Switch off the differential lock.
4. Turn the device upslope.
5. Hold back the handlebar and the inner wheel.
6. Switch the differential lock back on.

The drive prevents sliding and supports the turn manoeuvre.

Pushing

1. Release the drive lever.
2. Put the gear in neutral.

3. Press the drive lever again towards the handlebar – device can be pushed or rolls.

Differential lock

The differential lock connects the rear wheels rigidly to each other. This improves traction and driving stability of the device. The danger of slipping is reduced and safe braking is made possible.

When the differential lock is released, the device can be steered and turned with ease.

Switching off and parking



Caution!

On a slope, the device can roll away.

Put the device on even ground only or secure it against rolling away.

1. Release the drive lever.
2. Set the accelerator lever to the lowest engine speed.
3. Release the blade clutch lever.
4. Set the engine stop switch to "0".
5. Wait until the engine comes to a standstill before you step away from the device.
6. Close the fuel valve and the tank ventilation.
7. Pull off the spark plug connector.

Maintenance and cleaning

Regular maintenance keeps your device ready for use.

If you do not observe the maintenance notices, faults may occur that are not covered by the

warranty. Operational safety is endangered as well.

Contact your authorised service centre for checkup if you detect problems during maintenance.

Component	Action	Maintenance interval	
		A	B
Device	Check for safe working condition (basic inspection).	■	▲
	Clean.	■	
	Customer service.		▲
Fuel	Check fuel level.	■	
	Is the tank cap closed?	■	
Tank, fuel valve, and fuel line	Check parts for leaks and check for good condition.	■	▲
Carburetor	Does the carburetor close again after starting?	■	▲
Ventilation grid	Clean.	■	▲
Engine cooling	Clean.		▲
Spark plug	Check/replace.		▲
Air filter	Maintain.	■	■▲
Blade and fastening components	Check for wear and damage. See chapter Checking the blade.	■	▲
	Change.		▲
Blade brake	Does the blade function safely and does the blade come to a standstill within 7 seconds?	□	▲
Drive lever	Does the device stop when the lever is in zero position?	□	▲
V-belt	Are the belts tensioned correctly, without fissures, and in good condition?		▲
Bowden cables	Check for proper function and ease of movement.	■	▲
Acceleration lever	Check for proper function.	□	▲

Chassis and impact protection	Check for rust and fissures and check the welding seams.	■	▲
	Are all protective devices and covers in place, fastened correctly and properly functioning?	■	▲
Label	Condition of the labels.	■	▲
Engine	See operating instructions of the engine manufacturer.	■	▲
	Check oil level (see operating instructions of the engine manufacturer).	■	▲
	Oil change.		▲
	Oil filter change		▲
Parking brake	Check.	■	▲
Flammable material	Remove easily flammable debris buildup from the engine and the device.	■	▲
Tyres	Check tyres and, if necessary, the tyre pressure.	■	▲

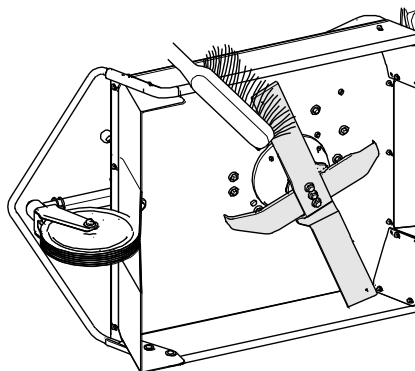
- A Before and after each use.
 B Annually or every 50 h.
 ■ By the user when the engine is not running.
 □ By the user when the engine is running.
 ▲ By the authorised service centre.

Preparations

Prior to all maintenance and cleaning work:

1. Let the device cool down for at least 20 minutes.
2. Pull off the spark plug connector.
3. Close the fuel valve and the tank ventilation.
4. For work on the bottom of the device, tilt the device to the silencer side.

Cleaning the device



Depending on use, clean the device thoroughly, especially the bottom and the knife.

Grass cuttings and dirt that are stuck interfere with the grass ejection and impair the cutting quality. To sufficiently cool the engine, keep the engine cover, ventilation grid and engine clean.

Fire hazard! Take particular care that the components at the silencer are clean.

For cleaning, use a hand brush. Remove stubborn dirt with a wooden or plastic spatula. Clean the outside housing parts with a cloth.

Do not clean the device with water spray or high-pressure cleaner! Do not use any aggressive cleaning agents.

General inspection

To ensure proper working order of the device, regularly check all nuts, bolts, screws, fuel line connections, air filters, etc. for firm seating.

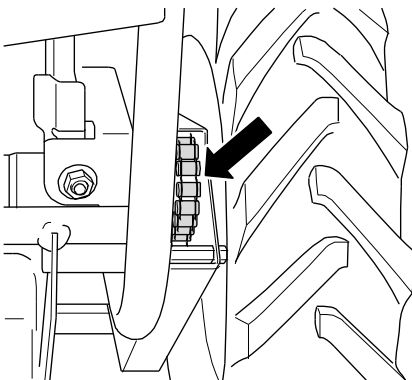
Check the ignition cable and the spark plug connectors for damages.

Immediately replace damaged or worn parts, especially covers, silencers or fuel tank (authorized service centre).

Check all parts that contain fluids for leaks and proper condition. These can be: Fuel tank, fuel valve, fuel lines, carburetor, engine, gears, battery, hydraulic system.

In case of leaks, contact an authorised service centre.

Chain lubrication



The chains to the right and to the left of the differential lock must be lubricated at regular intervals. We recommend using biodegradable chain spray.

Transmission

The transmission is maintenance-free and filled with oil that is supposed to last the entire service life of the device. Make sure that there are no leaks or damages.

Maintaining the engine



Danger!

If the speed of rotation is set too high, objects can be ejected. The engine can be damaged and noise pollution increases.

Do not change the basic setting of the carburetor or the speed control.

The operating instructions of the engine are prepared by the engine manufacturer. They contain the maintenance instructions and the warranty conditions for the engine. If warranty work for the engine is required, please contact your authorised service centre or the nearest authorised engine dealer.

To ensure a long service life of the engine, sufficient engine cooling is required.

Keep the

- engine cover (ventilation grid),
 - silencer (protective grid) and
 - cooling fins of the engine
- clean at all times.

Checking the engine oil level

Never allow the oil level to be too low otherwise the engine can be damaged. Never fill in too much oil. Otherwise, there is the risk that the oil enters and destroys the air filter.

For this, observe the attached operating instructions of the engine.

Checking the spark plugs



Danger!

The ignition system generates an electromagnetic field.

Wearers of pacemakers must not work on live parts.

Soiled spark plugs reduce the engine output. Clean the electrode of the spark plug with a brass wire brush. Check the electrode gap (see operating instructions of the engine manufacturer). Make sure that the insulator around the electrode is not damaged. Never use a damaged spark plug.

Tighten the spark plug using the correct torque (see operating instructions of the engine manufacturer).

Maintaining the air filter



Danger!

Cleaning agents pose a fire and explosion hazard.

Never clean the air filter with flammable solvents.

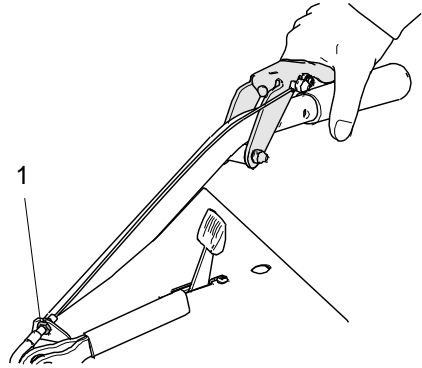
Make sure that the air filter is always clean. A dirty air filter reduces the engine performance and leads to increased engine wear and fuel consumption. Irrespective of the operating hours, change the filter insert at least once a year. Do not operate the engine without air filter.

For this, observe the attached operating instructions of the engine.

Checking the drive

1. Put the device on a non-slip surface (e.g. concrete or asphalt).
2. Switch off the engine.
3. Set the switching lever to a forward gear.
4. Actuate the drive lever.
5. Try to pull the device backwards.

If the rear wheels lock, the drive is correctly adjusted. If you can pull the device, the drive must be re-adjusted.



Re-adjusting the drive

Turn the adjusting screw (1) at the drive so that the wheels lock, while the drive is actuated, when the device is pulled. If there is no improvement after the adjustment, have the device checked by an authorised service centre.

Checking the parking brake

1. Put the device on a non-slip surface (e.g. concrete or asphalt).
2. Switch off the engine.
3. Switch the switching lever to neutral position.
4. Try pulling the device backwards.

If the rear wheel lock, the parking brake is correctly adjusted. If the device can be easily pulled backwards, the parking brake must be re-adjusted. Contact an authorised service centre to do so.

Checking the blade



Danger!

Improperly mounted and maintained blades pose a severe injury hazard.

Work at the blade shall only be performed by an authorised service centre.



Wear sturdy gloves when you check the blades.

Work on the blade requires special qualifications because an unbalance test is required and the torques must be observed.

Check the blade and all fastening parts for wear, damage and cracks

- before and after each mowing operation.
- when there are significant changes.

All blade parts shown and their fastening parts must be changed

- when damage or cracks were found.
- At least once a year or every 50 operating hours, regardless of whether there is wear or not. Material wears out, gets cracks which can endanger persons or property.

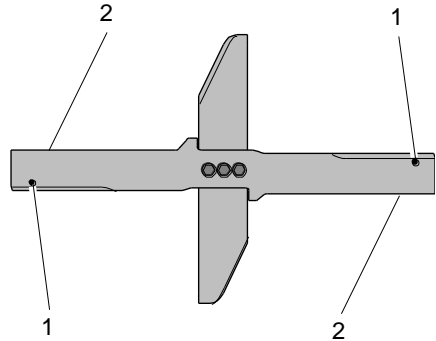
Vibrations indicate that

- the blade is worn excessively on one side or
- damage of motor or cutting unit mount (e.g. rubber elements).

Improperly sharpened blades increase the device load and result in fatigue cracks and breakage.

Ejected pieces can cause severe injuries.

Blade change



It is absolutely necessary to change the blade:

- When one of the wear markings (1) was reached. Original blade are engraved with wear markings (marking in form of a ball-shaped imprint on the rear side of the blade).
- When the thickness of the blade at the rear edge of the vane (2) or at another point is below 1 mm (exception: cutting edge).

Original blade

An original AS-blade is engraved with:

AS GXXXXXXXX or EXXXXX

This corresponds to the spare part number.

Checking the blade clutch

Check the blade clutch for proper function by disengaging the blade. The blade must come from full speed to a standstill in less than 7 seconds. Contact an authorised service centre if this is not the case.

Storage

Storing the device

Keep the device in a closed, dry, and well ventilated room and out of reach of children. Always eliminate all problems of the device before you store it so that the device is always in a safe-to-operate state. Let the engine cool down before you store the device in closed rooms.

Also observe the notices on storage in the attached operating instructions by the engine manufacturer.

Longer storage

1. Observe the safety instructions regarding the handling of fuel.
2. Draining fuel tank: Put a piece of a tube on the fuel valve and fill the fuel in an adequate fuel container.
3. Emptying carburetor: Start the engine and let it run until it stops on its own.
4. Clean the device thoroughly.
5. Touch up defects in painting (for spray paint, see Accessories).
6. Performing corrosion protection on the engine:
 - Unscrew the spark plug.
 - Fill a tablespoon of engine oil into the spark plug opening.
 - Pull the starter rope slowly until you get resistance (oil distribution in the cylinder).
 - Re-insert the spark plug and screw in fully.
 - Do not fit the spark plug connector!

In autumn, have your device checked by an authorised service centre!

Also observe the notices on storage in the attached operating instructions by the engine manufacturer.

Restarting

If you want to start the device after a longer storage, carry out the tasks described in chapter Maintenance.

Spare parts

The reliable and safe operation of the device also depends on the quality of the spare parts used. Only use original spare parts and accessories that were approved by

“AS-Motor Germany”. When foreign parts are installed, the warranty and guarantee shall be void for the foreign part and for the device and for any resulting damage.

Inform your authorised service centre about the device type and serial number of your devices when you order spare parts.

Wear parts

Some parts are wear parts. They wear during use and must be replaced. The warranty does not cover the following parts:

Blades, cutting blades, cutter bars, blade bolts, sliding plates, V-belt, chains, Bowden cables, starter ropes, pressure plates, air filters, spark plugs, disc springs, lock washers, fuses, discs, thrust plates, pressure discs, protection skirts, impact protection, wheels, tires.

Disposal

The device cuts and shreds the plant material in a single operation. Shredded plant material decomposes quickly, can be utilized as fertilizer, and, therefore, be left on the ground.

Dispose of waste oil and fuel in accordance with the local regulations or return it to an oil shop.

Packaging, device, and accessories are made of recyclable materials and must be disposed of accordingly.

Warranty

The conditions of the warranty can be found on the reverse side of your warranty card. Send the filled-out warranty card immediately after the purchase of your device to “AS-Motor Germany” or the supplier. Otherwise, the warranty is no longer valid.

Preserve the proof of purchase or the warranty card that was filled out by the vendor.

Troubleshooting

The following table contains the most frequent problems and their elimination. If more problems occur, contact the closest authorised service centre.

You can find an authorised service centre on our home page www.as-motor.de.

Problem	Possible cause	Remedy
Engine does not start	Engine stop switch is set to OFF.	Set engine stop switch to ON.
	Fuel valve is closed.	Open fuel valve.
	Tank ventilation screw is closed.	Open tank ventilation screw.
	No fuel is in the tank.	Refill fuel.
	Choke is open.	Close the choke.
	Spark plug connector is pulled off.	Observe the safety instructions! Put spark plug connector back on.
	Device was tilted – oil leaked into the air filter.	Replace air filter, unscrew spark plug and start several times when the fuel valve is closed, dry the spark plug and screw it back in.
	Engine was flooded due to too many start attempts.	Unscrew spark plug and start several times when the fuel valve is closed, dry the spark plug and screw it back in.
	Air filter is dirty.	Maintain air filter (see also Maintenance and cleaning).
	Spark plug is sooted, damaged, or incorrect electrode gap.	Clean spark plug and check electrode gap (see also Maintenance and cleaning). Replace spark plug if necessary.
	Housing of the mower is jammed.	See also Maintenance and cleaning.
	No oil pressure: Too little engine oil.	Check engine oil level, refill.
	No oil pressure: Slope too steep.	Bring the device into a level position.
Poor quality, dirty, or old fuel.	Clean fuel system (authorised service centre). Always use fresh fuel.	
Engine starts badly	Choke is closed.	Open the choke.

or runs irregularly	Air filter is dirty.	Maintain air filter (see also Maintenance and cleaning).
	Poor quality, dirty, or old fuel.	Always use fresh fuel.
	Spark plug is sooted, damaged, or incorrect electrode gap.	Clean spark plug and check electrode gap (see also Maintenance and cleaning). Replace spark plug if necessary.
	Housing of the mower is jammed.	See also Maintenance and cleaning.
No drive when drive lever is actuated	Drive belt is insufficiently tensioned.	Authorised service centre
The blade does not rotate	V-belt is insufficiently tensioned or damaged.	Authorised service centre.
	Bowden cable is defective.	Authorised service centre.
Strong vibrations during operation	Unbalance at the blade caused by incorrect sharpening or chips on the blade.	Have blade resharpened and balanced by an authorised service centre. Replace a damaged blade immediately.
	Blade drive shaft is bent due to collisions with foreign objects.	Authorised service centre.
	Engine fastening is loose.	Authorised service centre.
	Blade fastening is loose.	Authorised service centre.
Irregular noises	Loose fastening elements.	Authorised service centre.
	Silencer is defective.	Authorised service centre.
Engine is smoking	Air filter is soiled or drenched with oil.	Maintain or replace air filter (see also Maintenance and cleaning).
	Oil level is too high.	Have authorised service centre lower the oil level to the marking.
Engine gets hot	Ventilation grid is dirty.	Clean ventilation grid.
	Oil level in the engine is too low.	Refill engine oil (see operating instructions of the engine manufacturer).
	Cooling fins of the engine are dirty.	Have cooling fins cleaned by authorised service centre.
Uneven cut, lawn becomes unsightly	Blade is dull or worn.	Have blade resharpened and balanced by an authorised service centre. Replace a damaged blade immediately.

	Speed is too high proportionately to the cutting height.	Reduce speed and/or select the correct cutting height.
	Housing of the mower is heavily contaminated.	Clean.
	Different tire pressure.	the tire pressure.
Mulching result with high plant material not satisfactory	Speed is too high.	Reduce speed.
Mulching result with low plant material not satisfactory	Plant material is ejected too quickly.	Increase speed.
Discharge channel is jammed	Mowed grass was too long or too damp.	Adjust cutting height and mowing speed to the mowing conditions.
	Blade is worn.	Authorised service centre.
	Engine speed is too low despite full power.	Authorised service centre.
The device does not stop when the brake is actuated	Brake is adjusted incorrectly, worn, or defective.	Authorised service centre.
The device does not stop	Drive belt does not declutch.	Authorised service centre.
The engine does not switch off	Switching off system is defective.	Close the fuel valve. Authorised service centre.
The tires become flat	Thorns or sharp objects damage the tires.	If necessary, use tire protection gel (authorised service centre).

Accessories

Low pressure tires:	G06721006	E09303
Branch lifter:	G06726021	E09357
Spray paint 400 ml, colour orange:	G00011050	E04606
Operating hours counter:	G06927008	E10740
Clinometer:	G06950027	E11835
Cage wheels:	G06780016	E09356
Hand protection set:	G06780309	E09382

Technical data

Type	AS 65 4T B&S
Range of application (temperature)	0 - 30 °C For temperatures below 5 °C, observe the engine manufacturer's information regarding the engine oil.
Engine , type Manufacturer Type Cylinder capacity Performance Engine speed	One cylinder four stroke engine Briggs & Stratton Series 3 Intek 344 cm ³ 7.6 kW (10.3 PS) 3300 min ⁻¹
Cutting device , type Cutting width Cutting height Plant growth	Cutter bar and mulching blade 65 cm 50-100 mm central, continuously adjustable up to approx. 150 cm
Starting device	Rope start
Drive Forward speed Reverse speed	Manual transmission with differential lock 1.6; 1.8; 2.3; 3.3; 5.1 km/h 2.4 km/h
Maximum area coverage	approx. 3300 m ² /h
Measures and weight Transport size with packaging L/W/H Max. tire dimensions L/W/H Weight	183/85/101 cm 220/71/99 cm 125 kg
Capacities Fuel tank Engine oil	5 litres approx. 1.4 litres SAE 30 (also Checking the oil level)
Sound level Measured sound level L _{WA} Sound level at working place L _{PA} Measurement uncertainty k	101.0 dB according to DIN EN 12733 91 dB according to DIN EN 12733 2.5 dB (A)
Vibrations emission value Hand-arm-vibrations a _{r,W} Measurement uncertainty U	3.8 m/s ² according to DIN EN 12733 2 m/s ²
Tire pressure	1.0 - 2.0 bar



AS-Motor Germany GmbH & Co. KG
Ellwanger Straße 15
D-74424 Bühlertann
www.as-motor.de

Declaration of conformity

We declare that the grassland mower type
with serial number

AS 65 4T B&S
starting from 021310020001

as brought into circulation by us conforms to all relevant
safety and health requirements of the EC directives
listed.

2006/42/EG
2004/108/EG
97/68/EG

Function:

The device is exclusively intended for cutting grass or
similar vegetation in well maintained areas in agriculture,
forestry, and landscape conservation that are mowed at
least once a year.

Applied standards:

DIN EN 12733

Place where all technical records are filed:

AS-Motor Germany GmbH & Co. KG
Ellwanger Straße 15
D-74424 Bühlertann

Bühlertann, January 2015

Eberhard Lange
Managing director

By Proxy Frank Einsiedler
Head of development



Professional technology for gardens and landscapes

Allmäher®	Manoeuvrable meadow mower for extensive green area care. The Allmäher reliably shreds metre-high grass, undergrowth, and weeds.
Ride-on Allmäher®	Ease of use and high area coverage all combined in a compact ride-on mower. Low centre of gravity, optimum weight distribution, and broad wheel base provide you with the best performance on slopes and power reserves.
Rear discharge mower	Professional lawn mower with rear discharge. With wheel drive and infinite speed regulation for exceptional cutting and catching performance in any situation.
Rotary mower	The economic alternative to bar mower. Ideal for fodder production. The grass is not shredded and placed into a pile on the side.
Flail mower	The flail blades are supported movably and avoid rocks and other obstacles and chop the cuttings several times.
Side discharge mower	This solid allrounder has a side discharge, wheel drive, and a housing of 3 mm thick plastic-coated steel.
Mulching mower	Mulching saves both time and money. The mulch stays on the ground and practically disappears into the lawn so that no complex disposal is necessary.
WeedHex	Removes weeds carefully, quickly, and without the use of chemicals: on transport surfaces, walls, curbs, and between interlocking blocks.